



# TERRAGATOR

**TG8400C TERRAGATOR CHASSIS (2019)**

---

## **Parts and Service Guide**

# TERRAGATOR Specifications\*

## ENGINE

Make	AGCO Power
Type	AP84-4
Number of Cylinders	6
Displacement	8.4 L (513 CID)
Horsepower	365 HP (272 kW) @ 2,100 rpm
Peak Horsepower	393HP (293 kW) @ 1,900 rpm
Torque	1,180 ft-lbs (1,600 N-m) @ 1,500 rpm

## TRANSMISSION

Type	AGCO ML-260 Continuously Variable Transmission	
Forward Speeds	1000/50R25 Rear Tire Opt.	1050/50R32 Rear Tire Opt.
High Range mph (km/h)	0 – 42 (0 – 68)	0 – 46 (0 – 74)
Low Range mph (km/h)	0 – 23 (0 – 42)	0 – 29 (0 – 46)

## AXLES

Front	Steering type with 16.5 in x 6 in heavy-duty cam brakes
Rear	Wide track 42,000-lb rating with floatation tires

## DRY SYSTEM

AirMax Precision**	Single bin, 355 cu.ft. (10.1 m <sup>3</sup> )
AirMax Precision 2**	Adjustable, split bin, 345 cu.ft. (9.8 m <sup>3</sup> )
Soilection Twin Bin***	Two bins, 320 cu.ft. (9.1 m <sup>3</sup> )
New Leader NL4500	Single bin, MultiApplier insert, MultiBin, up to 331 cu.ft. (9.3 m <sup>3</sup> )
New Leader NL5000	Single bin, MultiApplier insert, MultiBin, up to 331 cu.ft. (9.3 m <sup>3</sup> )

## LIQUID SYSTEM

Capacity	1,800 gal. (6,814 L)
Pump	260 GPM (984 LPM)
Booms	60/80 ft. (18/24 m) fold-over boom 80 ft. (24 m)
Breakaway, Full Boom	Hydraulic, resettable
Breakaway, Boom Tip	Mechanical, spring return
Height / Tilt Adjustment	Hydraulic
Nozzle Spacing	30 in. (0.76 m) or 60 in. (1.52 m)
Total Spray Width	82.5 ft. (25.1 m) on 30 in. centers; 85 ft. (25.9 m) on 60 in. centers

## AIR SYSTEM

Compressor	Engine-mounted
Governor	120 psi (8.2 bar)
CFM	14.1 cfm (6.7 L/s)
Reservoir	Dual

## WEIGHTS

Rated Capacity Front	16,000 lbs. (7,257 kg)
Rated Capacity Rear	42,000 lbs. (19,050 kg)

## SUSPENSION

Type	Heavy-duty front and rear leaf springs with auxiliary rear leaf springs
------	---

## STEERING

Type	Dynamic load sense
------	--------------------

## TIRES

Standard	
Front	Goodyear® Radial 48X31R20
Rear	Goodyear® Optiterra Radial
Optional	
Front	Goodyear® Radial 54X31R26
Rear	Michelin® Radial 1000/50R25
Rear	Michelin® Radial 1050/50R32

## APPLICATION CAB

Glass Area / Floor Area	58 sq.ft. (5.4 m <sup>2</sup> ) / 14 sq.ft. (1.39 m <sup>2</sup> )
Cab Suspension	Air-ride cab
Radio	AM/FM / stereo USB MP3-compatible Weather band Bluetooth® with mic. Opt. SiriusXM®
HVAC / Filtration	Automatic temperature control / 3-level activated carbon
Standard Seat	Cloth with air-ride suspension
Optional Seat	Leather heated-vented with air-ride suspension

## FLUID CAPACITIES

Fuel	165 gal. (625 L)
DEF (Diesel Exhaust Fluid)	15 gal. (56.8 L)
Engine Coolant	8 gal. (30.3 L)
Engine Oil	6 gal. (22.7 L)
Transmission Oil	14 gal. (53 L)
Hydraulic Reservoir	12 gal. (46 L)

## CONTROLLERS

Controllers Available	Raven Viper 4+
-----------------------	----------------

\* Specifications are manufacturer's estimates at time of publication and are subject to change without prior notification. Actual weight will vary depending on optional equipment.

\*\* Single 40 cu.ft. (1.13 m<sup>3</sup>) granular bin available

\*\*\* Dual 25 cu.ft. (0.7 m<sup>3</sup>) granular bins available

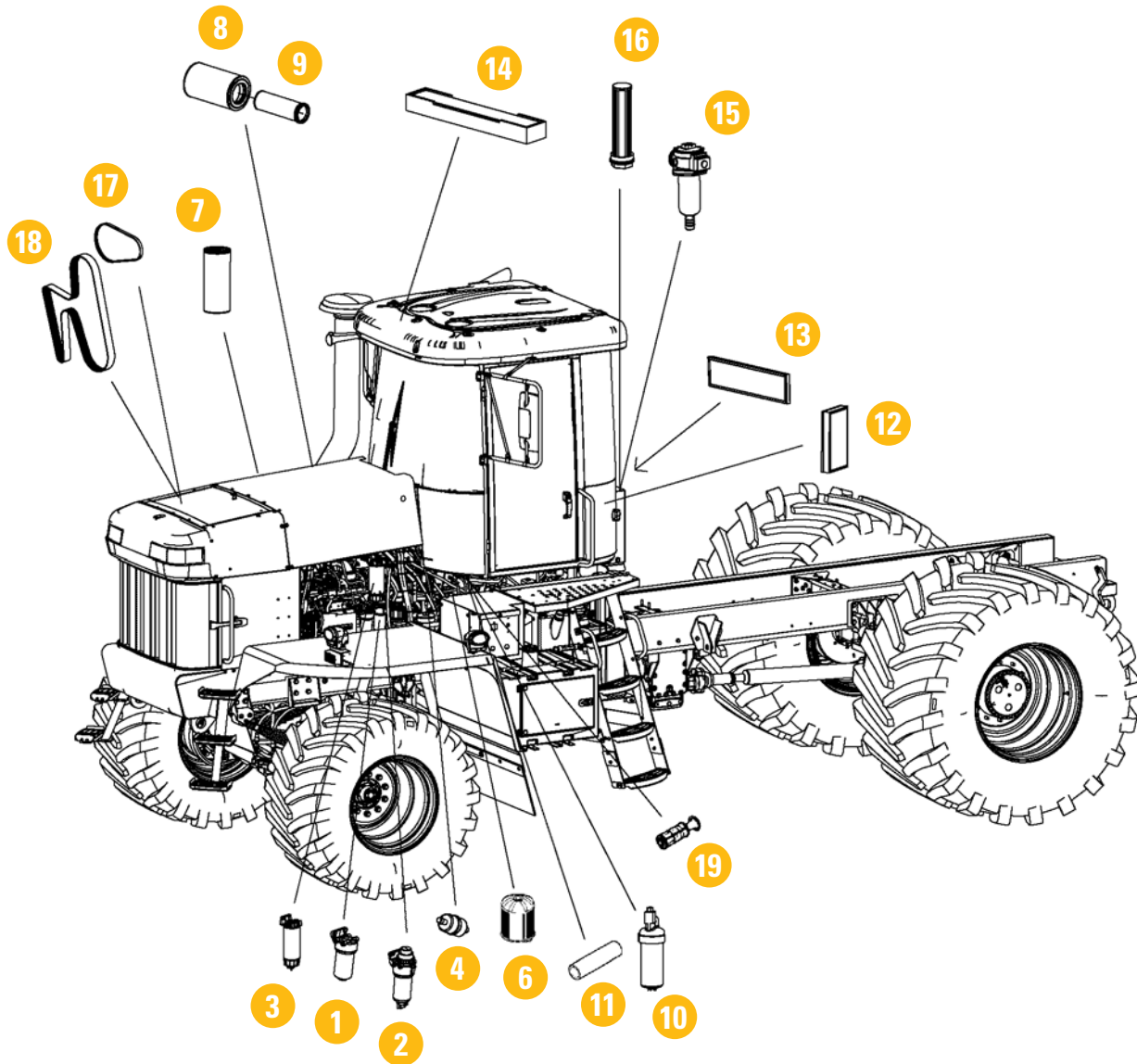
# TERRAGATOR Parts List

ITEM	PART NUMBER	QTY	DESCRIPTION	TECHNICAL SPECIFICATION
1	4347206M3	1	Fuel Filter Assembly	30 Microns
2	V837091129	1	Fuel Filter Kit	
3	3905873M91	1	Fuel Filter Element	
4	AG524540	1	Inline Strainer – Fuel	100 Mesh
6	AG330202	1	Filter – Air Dryer	
7	V837074523	1	Engine Oil Filter	
8	568310D1	1	Air Filter Element – Primary Air Filter	
9	568311D1	1	Air Filter Element – Safety	
10	72311028	1	Filter Element – Transmission High Pressure	
11	72312070	1	Oil Filter Element – Transmission Suction	
12	556654D1K		Carbon Filter – Carbon	
13	556653D1	1	Cab Filter – Recirculation	
14	AG718281	1	Air Filter Element	Particle
15	532430D1	1	Filter Element – Hydraulic Oil	
16	AG520617	1	Suction Strainer	2.5"
17	567109D1	1	Belt – Compressor	1218 mm
18	V685122255	1	Multi-Ribbed Belt – Fan Belt	
19	V837079423	1	DEF Filter – DEF	

## TO ORDER:

Call or visit your nearest Ziegler location. Visit [www.zieglercat.com/contact](http://www.zieglercat.com/contact) for a directory.

# TERRAGATOR Machine Diagram



# TERRAGATOR Service Guide

SERVICE ITEMS	INTERVAL										PARTS AND LUBRICANTS		
	Initial 100	100	250	400	500	800	1000	2000	Annual	Comprehensive	Part # / Charge Code	Qty	Description
Clean the cooling system (from outside)	X	X		X	X	X	X	X		X	AG524540	1	Inline Fuel Strainer
Check the condition of the belt	X	X		X	X	X	X	X		X			
Change the engine oil and filter				X		X		X	X	X	V837074523	1	Engine Oil Filter
											6	AGCO 15W-40 CI-4 ENGINE OIL GAL	
											1	Sample	
Change the fuel filters						X			X	X	V837091129	1	Fuel Filter Kit
											3905873M91	1	Fuel Water Separator
Check/administer engine software update				X		X		X		X			
Check the torque on rear and front wheel nuts	X	X	X	X	X	X	X	X		X			
Replace the inline fuel strainer	X							X	X	X	AG524540	1	Inline Strainer
Lubricate the tag axle fittings (if equipped)	Service Item not included in PM – create separate segment for service												
Check oil level front wheel bearings	X	X	X	X	X	X		X					
Check the front and rear axle mounting bolts, tighten to torque of 664 lbf ft	X		X		X			X	X				X
Check brake air lines	X	X	X	X	X	X	X	X		X			
Replace the hydraulic oil filter	X							X	X	X	587603D1	1	Hydraulic Filter
Replace the hydraulic oil								X	X	X	SAMPLE	14	AGCO 821XL 10W-30 PERMATRAN GAL
												1	Sample
Replace the CVT high pressure filter	X							X	X	X	72311028	1	High Pressure Filter
											72313495	1	O-Ring
Replace the pressure washer pump oil	X				X			X	X	X			See lubricant table (next page)
Check transfer case oil level	X	X		X		X		X					
Clean transfer case oil breather	X	X		X	X	X	X	X		X			
Check front and rear cab mounts	X	X		X	X	X	X	X		X			
Lubricate the steering cylinder ends	X	X		X	X	X	X	X		X	79017915	1	MOLY EP Grease
Drain the water and sediment out of the fuel tank	X	X		X	X	X	X	X		X			
Check the differential and planetary oil level		X		X	X	X		X					
Replace the differential and planetary oil	X							X	X	X	79014722	3	AGCO Gear Lubricant/ Axle Oil 2.5 GAL
											AG331201	1	O Ring
											AG331200	1	O Ring
											SAMPLE	3	Samples
Clean the differential breather	X	X		X	X	X	X	X		X			
Check front axle toe-in	X							X	X	X			
Check the tag axle bearing bolt torque (if equipped)	Service Item not included in PM – create separate segment for service												
Inspect and clean the cab air filters			X		X								
Lubricate grease fittings on driveline			X		X			X	X		79014728	1	Multi-Purpose Lithium II Grease
Replace the air dryer filter					X			X	X		AG330202	1	Air Dryer Filter
Lubricate the brake slack adjuster on the front and rear axle					X			X	X		79017915	1	MOLY EP Grease
Check the engine-to-frame ground connections					X			X	X				X
Change transfer case oil					X			X	X	X			X
Check driveline U-joints					X			X	X				X
Check the torque on the charge air hose clamps and hose from the turbo to the CAC								X	X	X			X
Replace the receiver-dryer (A/C system)								X	X	X	593052D2	1	A/C Receiver Drier
Replace the primary engine air filter								X	X	X	568310D1	1	Primary Engine Air Filter
Replace the pressure washer strainer								X	X	X	AG513640	1	Inline Pressure Washer Strainer
Change oil front wheel bearings								X	X	X			X
Grease front axle kingpins								X	X	X			X
Replace the cab air filters										X	556653D1	1	Cab Filter
										X	556654D1K	1	Cab Carbon Filter
										X	AG718281	1	Particle Filter

# TERRAGATOR Service Guide

LUBRICANTS						
Component	Oil type/Class	Viscosity	US GAL	# of Components	Part # / Charge Code	Description
Rear axle differential and planetary	GL-5	80W-90	6.5	1	79014722	AGCO Gear Lubricant/ Axle Oil 2.5 GAL
Hydraulic system	Permatran 821XL	10W-30	13.5	1		AGCO 821XL 10W-30 PERMATRAN GAL
Transmission	Permatran 821XL PLUS	15W-40	15.1	1		AGCO 821XL PLUS 15W-40 TRAN OIL GAL
Engine oil	CJ-4	15W-40	6	1		AGCO 15W-40 CI-4 ENGINE OIL GAL
Grease fittings	high temp moly-lithium base grease			1	79017915	MOLY EP Grease
Pressure wash pump	NON-Detergent oil	30W		1		
Grease fittings on driveline	high temp NLGI #2 multi-purpose moly-free lithium grease				79014728	Multi-Purpose Lithium II Grease
CVT clutch oil	Pentosin CHF 11S					
Engine coolant	50/50 water & ethylene glycol without stop leak additive with SCA	50/50	7.2	1	ZXRU1	PREMIX COOLANT
Transfer case assembly	GL-5	80W-90	2.3		79014722	AGCO Gear Lubricant/ Axle Oil 2.5 GAL
Front wheel bearing oil	gear oil or heavy duty engine oil-ambient temperature dependent					