

# T-9DT / T-10DT / T-12DT

Towmaster's drop-deck tilt trailers are the most popular tilt-bed trailers on the market. There are no ramps to hassle with; simply tilt the deck and drive on or off. This trailer is built on our cold-formed I-beam tongue and main frame for tough durability. The tilt deck trailer features a single lever twin-latch system, long approach plate, rubber-ride axles and adjustable hitch. A deck cushion cylinder eases the deck back into transport position and prevents it from slamming onto the frame when loading.



Cushion cylinder controls the deck when loading or unloading equipment.



Long approach ramp allows easy equipment loading and unloading.



Single deck latch lever with dual latch securement is easy to operate.

### Quick Specs:

- 2" nom. oak wood deck
- 14', 16', or 18' deck
- One-piece formed fender/inner panel
- 18.5" deck height (loaded)
- Dexter® Torflex® axles w/EZ Lube
- Low approach angle
- 82" load width
- Forward adjusting electric brakes
- Grommet mounted LED lights



Photos may show optional equipment.

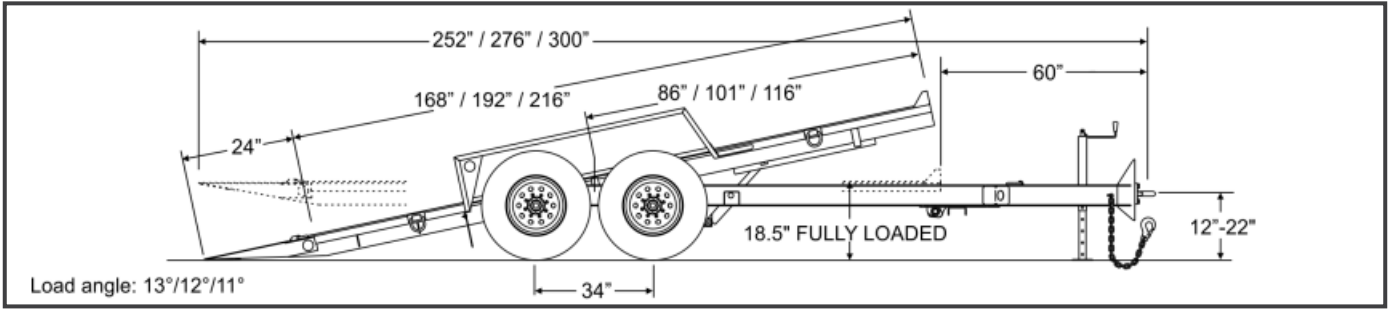
## AMERICA'S BEST BUILT TRAILERS FOR PROFESSIONAL HAULERS



**800-462-4517**  
TOWMASTER.COM



MORE MODELS • MORE OPTIONS • MORE CHOICES  
DROP-DECK • TILT BED • DECK-OVER • GOOSENECK • LOWBOY • HYDRAULIC TAIL



<b>SPECIFICATIONS</b>				
S=Standard O=Optional				
<b>CAPACITY / DIMENSIONS</b>	<b>T-9DT</b>	<b>T-10DT</b>	<b>T-12DT</b>	
Payload Rating (lbs/kg)	6,190 / 2808	10,000 / 4536	12,000 / 5443	
GVWR (lbs/kg)	9,990 / 4531	13,800 / 6260	15,900 / 7212	
GAWR (lbs/kg)	14,000 / 6350	14,000 / 6350	14,000 / 6350	
Approx. Avg. Weight (lbs/kg)	3,800 / 1724	3,800 / 1724	3,900 / 1769	
Overall Length – 14' (ft-in/mm)	20-0 / 6096	20-0 / 6096	20-0 / 6096	
Overall Length – 16' (ft-in/mm)	22-0 / 6706	22-0 / 6706	22-0 / 6706	
Overall Length – 18' (ft-in/mm)	24-0 / 7315	24-0 / 7315	24-0 / 7315	
Deck Height (loaded)(in/mm)	19 / 482	18.5 / 470	18.5 / 470	
Overall Width (ft-in/mm)	8-6 / 2591	8-6 / 2591	8-6 / 2591	
Load Width (in/mm)	82 / 2083	82 / 2083	82 / 2083	
<b>TONGUE</b>				
Tongue Length 5'-0" (1524mm)	S	S	S	
One-Piece Cold-Formed Tongue / Frame	S	S	S	
Pintle Ring (in)	2.5	2.5	2.5	
High-Tensile Safety Chain	3/8" Grade 43	3/8" Grade 43	3/8" Grade 43	
Bolt-on Drop-Leg Parking Jack	7K	7K	12K	
<b>FRAME / RAMPS</b>				
Main Beam	6" I-Beam	6" I-Beam	High Tensile W6 x 12	
Crossmembers	3" Channel	3" Channel	3" Channel	
Headboard Height (in / mm)	3 / 76	3 / 76	3 / 76	
Deck	2" nom. White Oak	2" nom. White Oak	2" nom. White Oak	
Deck Lip (in / mm)	2 / 51	2 / 51	2 / 51	
Deck Latch	Dual-Point	Dual-Point	Dual-Point	
12 ga. One-piece formed fenders and inner panel	S	S	S	
Approach Ramp (in x in/mm)	24 / 610	24 / 610	24 / 610	
Load Angle (degrees) – depending on deck length	12, 13, 14	12, 13, 14	12, 13, 14	
Tie Downs	D-ring	D-ring	D-ring	
Number of Tie-Downs (Total / Side)	8 / 4	8 / 4	8 / 4	
<b>SUSPENSION / TIRES</b>				
Rubber-Ride Axles w/Warranty	S	S	S	
Axle Capacity (each) (lbs/kg)	7,000 / 3175	7,000 / 3175	7,000 / 3175	
Axle Spread (in/mm)	34 / 864	34 / 864	34 / 864	
Hubs	E-Z Lube	E-Z Lube	E-Z Lube	
Electric Brakes w/Forward Adjust	S	S	S	
Brake Size (in/mm)	12x2 / 305x51	12x2 / 305x51	12x2 / 305x51	
Battery Break-Away Kit with Tow Charger	S	S	S	
Wheels (in/mm)	16x6 / 406x152	16x6 / 406x152	16x6 / 406x152	
Wheel Bolt Pattern	8-bolt	8-bolt	8-bolt	
Tires / Load Range Rating	235/85R16 / E	235/85R16 / E	235/85R16 / E	

**STANDARD EQUIPMENT**

- Adjustable hitch height
- RV electrical plug
- Weather resistant sealed modular wiring
- Grommet mounted LED lights
- Registration holder
- Rust inhibiting primer
- Durable, rust inhibiting top coat
- Die-cut UV resistant vinyl decals
- D.O.T. approved conspicuity tape
- Mud flaps
- Adjustable ramp width spacing
- Trailer color: Equipment black

**OPTIONAL EQUIPMENT**

- Hydraulic surge brakes
- 3" pintle ring or 2-5/16" ball coupler
- 4-foot stationary deck
- Gooseneck hitch
- 6-pole round electrical plug
- Storage tray lid
- Pallet fork holders
- 8K electric winch
- Additional tie-downs
- Spare tire and wheel mount
- Spare tire and wheel
- "SL" ramp option for hauling scissor lifts
- Color options: Construction Yellow, Equipment Red, Blue, Charcoal
- Galvanizing



Other options may be available. Ask your dealer or visit our website.

\*Payload capacity is calculated by taking the GVWR and subtracting the trailer weight. Listed GVWR, weights, and dimensions are for reference only. Manufacturer reserves the right to change models and specifications as they see fit. See our web site or your local authorized dealer for more information.