

T-14DT / T-16DT

Towmaster's drop-deck tilt trailers are the most popular tilt-bed trailers on the market. There are no ramps to hassle with; simply tilt the deck and drive on or off. This trailer is built on our cold-formed I-beam tongue and main frame for tough durability. The tilt deck trailer features a single lever twin-latch system, knife-edge approach, rubber-ride axles and adjustable hitch. A deck cushion cylinder eases the deck back into transport position and prevents it from slamming onto the frame while loading.



rubber-ride axles and adjustable hitch. A deck cushion cylinder eases the deck back into transport position and prevents it from slamming onto the frame while loading.



Cushion cylinder controls the deck when loading or unloading equipment.



Approach ramp allows easy equipment loading and unloading.



Single deck latch lever with dual latch securement is easy to operate.

Quick Specs:

- 2" nom. white oak deck
- 14', 16', or 18' deck
- One-piece formed fender/inner panel
- 19" deck height (loaded)
- Dexter® Torflex® axles w/EZ Lube
- Low approach angle
- 82" load width (80" on 16DT)
- Forward adjusting electric brakes
- Grommet mounted LED lights



Photos may show optional equipment.

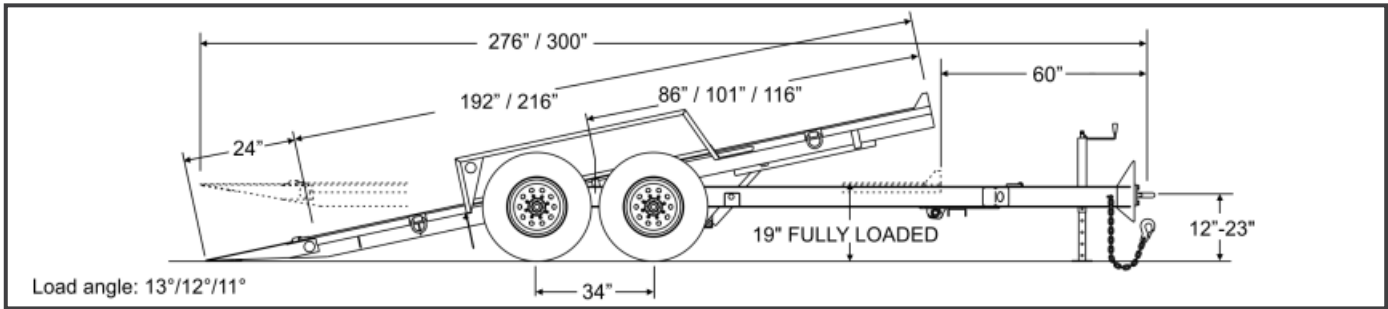
AMERICA'S BEST BUILT TRAILERS FOR PROFESSIONAL HAULERS



800-462-4517
TOWMASTER.COM



MORE MODELS • MORE OPTIONS • MORE CHOICES
DROP-DECK • TILT BED • DECK-OVER • GOOSENECK • LOWBOY • HYDRAULIC TAIL



SPECIFICATIONS				
S=Standard O=Optional				
CAPACITY / DIMENSIONS	T-14DT	T-16DT		
Payload Rating (lbs/kg)	14,000 / 6350	16,000 / 7257		
GVWR (lbs/kg)	18,300 / 8301	20,400 / 9253		
GAWR (lbs/kg)	14,400 / 6531	16,000 / 7257		
Approx. Avg. Weight (lbs/kg)	4,300 / 1950	4,400 / 1995		
Overall Length – 16' (ft-in/mm)	22-0 / 6706	22-0 / 6706		
Overall Length – 18' (ft-in/mm)	24-0 / 7315	24-0 / 7315		
Deck Height (loaded)(in/mm)	19 / 483	19 / 483		
Overall Width (ft-in/mm)	8-6 / 2591	8-6 / 2591		
Load Width (in/mm)	82 / 2083	80 / 2032		
TONGUE				
Tongue Length (ft-in/mm)	5-0 / 1524	5-0 / 1524		
One-Piece Cold-Formed Tongue / Frame	S	S		
Pintle Ring (in)	3	3		
High-Tensile Safety Chain	3/8" Grade 70	3/8" Grade 70		
Bolt-on Drop-Leg Parking Jack	12K	12K		
FRAME / RAMPS				
Main Beam	Hi-Tensile W6 x 12	Hi-Tensile W6 x 12		
Crossmembers	3" Channel	3" Channel		
Headboard Height (in / mm)	3 / 76	3 / 76		
Deck	2" nom. White Oak	2" nom. White Oak		
Deck Lip (in / mm)	2 / 51	2 / 51		
Deck Latch	Dual-Point	Dual-Point		
12 ga. One-piece formed fenders and inner panel	S	S		
Approach Ramp (in x in/mm)	12 / 305	12 / 305		
Load Angle (degrees) – depending on deck length	10, 11	10, 11		
Tie Downs	D-ring	D-ring		
Number of Tie-Downs (Total / Side)	8 / 4	8 / 4		
SUSPENSION / TIRES				
Rubber-Ride Axles w/Warranty	S	S		
Axle Capacity (each) (lbs/kg)	7,200 / 3266	8,000 / 3628		
Axle Spread (in/mm)	34 / 864	34 / 864		
Hubs	E-Z Lube	E-Z Lube		
Electric Brakes	S	S		
Brake Size (in/mm)	12.25x2.5 / 311x64	12.25x3.38 / 311x86		
Battery Break-Away Kit with Tow Charger	S	S		
Wheels (in/mm)	17.5x6.75 / 445x171	17.5x6.75 / 445x171		
Wheel Bolt Pattern	8-bolt	8-bolt		
Tires / Load Range Rating	215/75R17.5 / H	215/75R17.5 / H		

STANDARD EQUIPMENT

- Adjustable hitch height
- RV electrical plug
- Weather resistant sealed modular wiring
- Grommet mounted LED lights
- Registration holder
- Rust inhibiting primer
- Durable, rust inhibiting top coat
- Die-cut UV resistant vinyl decals
- D.O.T. approved conspicuity tape
- Mud flaps
- Adjustable ramp width spacing
- Trailer color: Equipment black

OPTIONAL EQUIPMENT

- 4-foot stationary deck
- Gooseneck hitch
- 6-pole round electrical plug
- Storage tray lid
- Pallet fork holders
- 8K electric winch
- Additional tie-downs
- Spare tire and wheel mount
- Spare tire and wheel
- "SL" ramp option for hauling scissor lifts
- Color options: Construction Yellow, Equipment Red, Blue, Charcoal
- Galvanizing



Other options may be available. Ask your dealer or visit our website.

*Payload capacity is calculated by taking the GVWR and subtracting the trailer weight. Listed GVWR, weights, and dimensions are for reference only. Manufacturer reserves the right to change models and specifications as they see fit. See our web site or your local authorized dealer for more information.