



MASSEY FERGUSON



MASSEY FERGUSON  
**ATTACHMENTS CATALOG**

**ZIEGLER**  
AG EQUIPMENT





**VERSATILE. DURABLE. DEPENDABLE.**





# THE VERSATILITY YOU NEED TO DO IT ALL.

At Ziegler Ag Equipment, you'll find a wide variety of implements and attachments for your Massey Ferguson® equipment.

These attachments are built to do it all, from blowing snow and mowing grass to digging holes and hauling heavy loads. Rely on them to help you accomplish job after job with specially designed safeguards that reduce your need for manpower and maintenance.

*Ask our Ziegler Ag Equipment team for more information about our selection of Massey Ferguson attachments!*

## MATERIAL HANDLING

---

BACKHOE	4
LOADER	5

## ROTARY CUTTERS

---

BATWING	6
DITCH BANK	7
MULTI-SPINDLE	8
SINGLE-SPINDLE	10

## FINISH MOWERS

---

MID-MOUNT MOWER	12
REAR-DISCHARGE MOWER	13

## SNOW REMOVAL

---

FRONT-MOUNTED SNOW BLOWER	14
REAR-MOUNTED SNOW BLOWER	15

## LANDSCAPING

---

BOX SCRAPERS	16
CULTIPACKERS	17
DISC HARROWS	18
DOZER BLADES	19
GRADING SCRAPERS	21
RAKES	22
POST HOLE DIGGERS	23
REAR BLADES	24
ROTARY BROOMS	26
STUMP GRINDER	27

## TILLAGE

---

ROTARY TILLERS	28
----------------	----

## SEEDERS

---

FOOD PLOT SEEDER	30
PRECISION SUPER SEEDER	31



# MATERIAL HANDLING



## BACKHOE

Model	CB65	CB75	CB85
GC1705	✓		
GC1715	✓		
GC1723E	✓		
GC1725M	✓		
1726E	✓	✓	
1734E		✓	
1739E		✓	
1735M		✓	
1740M		✓	
1750M			✓
1755M			✓
1760M			✓
2705E			✓
2706E			✓
Capacity (digging force)	2,476 lbs.	3,148 lbs.	4,475 lbs.
Max. Lift Height/Depth	78"	92.1"	99.6"
Bucket Width	10", 12"	10", 12", 16"	10", 12", 16", 18", 24"





**LOADER**

Model	FL1805	L100E	L105E	DL125	DL135	L135E	911X	931X	FL.3615
GC1705	✓								
GC1710	✓								
GC1715	✓								
GC1720	✓								
GC1723E	✓								
GC1723EB	✓								
GC1725M	✓								
GC1725MB	✓								
1526		✓							
1726E			✓						
1734E			✓						
1739E			✓						
1735M				✓					
1740M				✓					
1750M					✓				
1755M					✓				
1760M					✓				
2604H							✓		
2605H							✓		
2606H							✓		
2607H							✓		
2705E						✓			
2706E						✓			
4707								✓	✓
4708								✓	✓
4709								✓	✓
4710								✓	✓
Capacity	922 lbs.	820 lbs.	1,210 lbs.	1,840 lbs.	2,420 lbs.	1,770 lbs.	1,510 lbs.	3,420 lbs.	3,461 lbs.
Max. Lift Height/Depth	74"	83"	95.7"	102.4"	110.2"	110.2"	115"	136"	140"
Bucket Width	48"	54"	60"	72"	72"	72"	72"	84"	72", 84"





# ROTARY CUTTERS



## BATWING

Model	BW10.50	BW10.60	BW10.70	BW12	BW15.50	BW15.60	BW15.70
1739E				✓			
1735M				✓			
1740M				✓			
1750M	✓			✓	✓		
1755M	✓			✓	✓		
1760M	✓	✓		✓	✓	✓	
2604H	✓			✓	✓		
2605H	✓	✓		✓	✓	✓	
2606H	✓	✓	✓	✓	✓	✓	✓
2607H	✓	✓	✓	✓	✓	✓	✓
2705E	✓			✓	✓		
2706E	✓	✓		✓	✓	✓	
4707	✓	✓	✓	✓	✓	✓	✓
4708	✓	✓	✓	✓	✓	✓	✓
4709	✓	✓	✓	✓	✓	✓	✓
4710	✓	✓	✓	✓	✓	✓	✓
Cutting Width	126"	126"	126"	144"	180"	180"	180"
Cutting Diameter	2.5"	4"	4.5"	1.5"	2.5"	4"	4.5"







**MULTI-SPINDLE**

Model	DS8.30	MDS8.30	DS8.50	MDS8.50	DS08.50	DS10.40	MDS10.40
1739E	✓						
1735M	✓						
1740M	✓		✓		✓	✓	
1750M	✓	✓	✓		✓	✓	
1755M	✓	✓	✓		✓	✓	
1760M	✓	✓	✓	✓	✓	✓	
2604H	✓	✓	✓		✓	✓	
2605H	✓	✓	✓	✓	✓	✓	
2606H	✓	✓	✓	✓	✓	✓	✓
2607H	✓	✓	✓	✓	✓	✓	✓
2705E	✓	✓	✓		✓	✓	
2706E	✓	✓	✓	✓	✓	✓	
4707	✓	✓	✓	✓	✓	✓	✓
4708	✓	✓	✓	✓	✓	✓	✓
4709	✓	✓	✓	✓	✓	✓	✓
4710	✓	✓	✓	✓	✓	✓	✓
Hitch Type	Pull-Type	3-Point	Pull-Type	3-Point	Semi-Mounted	Pull-Type	3-Point
Cutting Width	96"	96"	96"	96"	96"	120"	120"
Cutting Diameter	1.5"	1.5"	3"	3"	3"	2"	2"





DS10.50	MDS10.50	DS010.50	DS12.50	MDS12.50	TS14.60	MTS14.60
✓		✓	✓			
✓		✓	✓			
✓		✓	✓			
✓	✓	✓	✓			
✓	✓	✓	✓	✓	✓	
✓		✓	✓			
✓	✓	✓	✓	✓	✓	
✓	✓	✓	✓	✓	✓	
✓	✓	✓	✓	✓	✓	
✓	✓	✓	✓	✓	✓	✓
✓	✓	✓	✓	✓	✓	✓
Pull-Type	3-Point	Semi-Mounted	Pull-Type	3-Point	Pull-Type	3-Point
120"	120"	120"	144"	144"	168"	168"
3"	3"	3"	3"	3"	3"	3"





# ROTARY CUTTERS



## SINGLE-SPINDLE

Model	RC3.5	RC4	RC5	RC6	BB48X	BB60X	BB600X
GC1723E	✓	✓			✓	✓	✓
GC1723EB	✓	✓			✓	✓	✓
GC1725M	✓	✓			✓	✓	✓
GC1725MB	✓	✓			✓	✓	✓
1526	✓	✓	✓	✓	✓	✓	✓
1726E	✓	✓	✓	✓	✓	✓	✓
1734E	✓	✓	✓	✓	✓	✓	✓
1739E	✓	✓	✓	✓	✓	✓	✓
1735M	✓	✓	✓	✓	✓	✓	✓
1740M	✓	✓	✓	✓	✓	✓	✓
1750M			✓	✓	✓	✓	✓
1755M							✓
1760M							✓
2604H							✓
2605H							✓
2606H							✓
2607H							✓
2705E							✓
2706E							✓
4707							✓
4708							✓
4709							✓
4710							✓
Cutting Width	42"	48"	60"	72"	48"	60"	60"
Cutting Diameter	1"	1"	1"	1"	1.5"	2"	3"







**MID-MOUNT MOWER**

Model	2315	2320	2326 Drive Over Deck	1705
GC1705	✓	✓	✓	
GC1710	✓	✓	✓	
GC1715	✓	✓	✓	
GC1720	✓	✓	✓	
GC1723E	✓	✓	✓	
GC1723EB	✓	✓	✓	
GC1725M	✓	✓	✓	
GC1725MB	✓	✓	✓	
1735M				✓
Cutting Width	54"	54"	60"	72"
Cutting Height	1.3 – 4.9"	1.2 – 4.7"	1.2 – 4.7"	1.5 – 5.0"
Number of Blades	6	3	3	3



**REAR-DISCHARGE MOWER**

Model	RDC54
GC1723E	✓
GC1723EB	✓
GC1725M	✓
GC1725MB	✓
1526	✓
1726E	✓
1734E	
1739E	
1735M	
1740M	
1750M	
1755M	
1760M	
2604H	
2605H	
2606H	
2607H	
2705E	
2706E	
4707	
4708	
Cutting Width	54"
Cutting Height	1 – 4.5"











**FRONT-MOUNTED SNOW BLOWER**

Model	2360	1410	1507
GC1705	✓		
GC1710	✓		
GC1715	✓		
GC1720	✓		
GC1723E	✓		
GC1723EB	✓		
GC1725M	✓		
GC1725MB	✓		
1526		✓	
1735M		✓	
1740M		✓	
1750M			✓
1755M			✓
1760M			✓
Cutting Width	50"	63"	71"
Cutting Height	19.125"	63.125"	23.8"





**REAR-MOUNTED SNOW BLOWER**

Model	SB54S	SB64S	SB74C	SB84C	SS84-2	SS96-2 (540 rpm)	SS96-2 (1,000 rpm)
GC1705	✓	✓					
GC1710	✓	✓					
GC1715	✓	✓					
GC1720	✓	✓					
GC1723E	✓	✓					
GC1723EB	✓	✓					
GC1725M	✓	✓					
GC1725MB	✓	✓					
1526	✓	✓					
1726E	✓	✓					
1734E		✓					
1739E		✓	✓				
1735M		✓					
1740M		✓	✓				
1750M			✓	✓			
1755M			✓	✓			
1760M			✓	✓			
2604H			✓	✓			
2605H			✓	✓			
2606H			✓	✓	✓		
2607H			✓	✓	✓		
2705E			✓	✓			
2706E			✓	✓			
4707					✓		
4708					✓	✓	✓
4709						✓	✓
4710						✓	✓
Cutting Width	54"	64"	74"	84"	84"	96"	96"



**BOX SCRAPERS**

Model	GBC48	BSS54	BSS60	BSS65	BSS72	BSM72	BSM84
GC1705	✓	✓	✓	✓	✓		
GC1710	✓	✓	✓	✓	✓		
GC1715	✓	✓	✓	✓	✓		
GC1720	✓	✓	✓	✓	✓		
GC1723E	✓	✓	✓	✓	✓		
GC1723EB	✓	✓	✓	✓	✓		
GC1725M	✓	✓	✓	✓	✓		
GC1725MB	✓	✓	✓	✓	✓		
1526	✓	✓	✓	✓	✓		
1726E		✓	✓	✓	✓		
1734E		✓	✓	✓	✓		
1739E		✓	✓	✓	✓		
1735M		✓	✓	✓	✓		
1740M		✓	✓	✓	✓	✓	✓
1750M						✓	✓
1755M						✓	✓
1760M						✓	✓
2604H						✓	✓
2605H						✓	✓
2606H						✓	✓
Working Width	48"	54"	60"	65"	72"	72"	84"



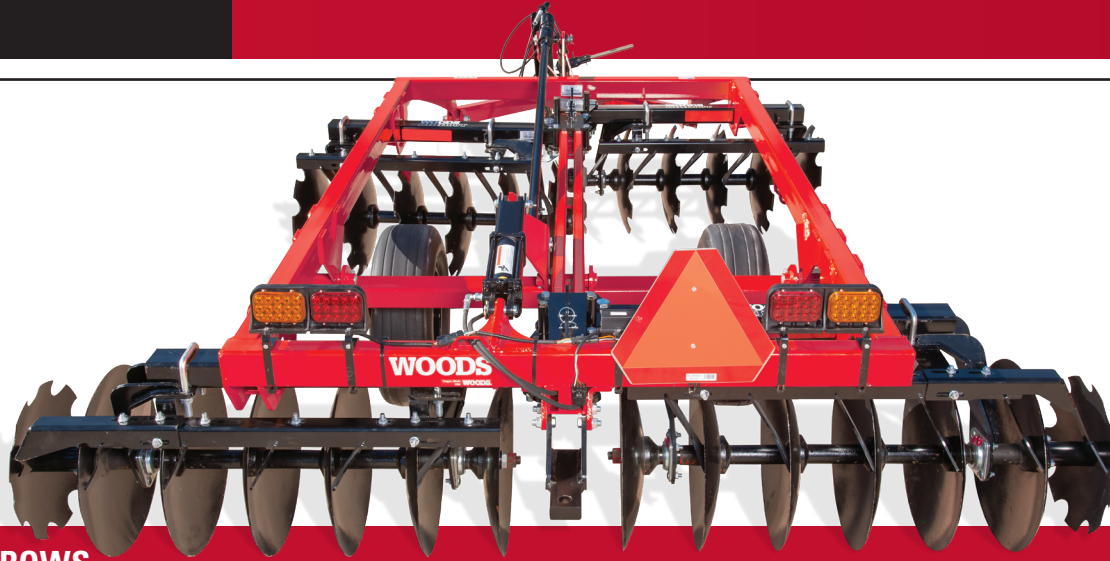




**CULTIPACKERS**

Model	C48T	C72	C84
GC1705	✓	✓	✓
GC1710	✓	✓	✓
GC1715	✓	✓	✓
GC1720	✓	✓	✓
GC1723E	✓	✓	✓
GC1723EB	✓	✓	✓
GC1725M	✓	✓	✓
GC1725MB	✓	✓	✓
1526	✓	✓	✓
1726E	✓	✓	✓
1734E		✓	✓
1739E		✓	✓
1735M		✓	✓
1740M		✓	✓
1750M		✓	✓
1755M		✓	✓
1760M		✓	✓
2604H		✓	✓
2605H		✓	✓
2606H		✓	✓
2607H		✓	✓
2705E		✓	✓
2706E		✓	✓
4707		✓	✓
Working Width	48"	72"	84"





**DISC HARROWS**

Model	DHS48	DHS64	DHS80	DHM80	DHM96
GC1705	✓				
GC1710	✓				
GC1715	✓				
GC1720	✓				
GC1723E	✓				
GC1723EB	✓				
GC1725M	✓				
GC1725MB	✓				
1526	✓				
1726E	✓				
1734E	✓	✓			
1739E		✓	✓		
1735M		✓	✓		
1740M		✓	✓		
1750M			✓	✓	
1755M			✓	✓	
1760M				✓	✓
2604H			✓	✓	
2605H			✓	✓	✓
2606H				✓	✓
2607H				✓	✓
2705E			✓	✓	
2706E				✓	✓
4707					✓
4708					✓
Width	48"	64"	80"	80"	96"
No. of Blades	12	14	18	18	22

**DOZER BLADES**

<b>Model</b>	<b>2335</b>	<b>2340</b>	<b>1405</b>	<b>1545</b>	<b>1550</b>
GC1705	✓	✓			
GC1710	✓	✓			
GC1715	✓	✓			
GC1720	✓	✓			
GC1723E	✓	✓			
GC1723EB	✓	✓			
GC1725M	✓	✓			
GC1725MB	✓	✓			
1526			✓		
1726E			✓		
1734E			✓		
1739E			✓		
1735M			✓		
1740M				✓	✓
1750M				✓	✓
1755M				✓	✓
1760M				✓	✓
Height	17.5"	19"	22.5"	72"	84"
Width	54"	60"	66"	22.375"	22.375"







**GRADING SCRAPERS**

Model	GSS54	GSS54P
GC1705	✓	✓
GC1710	✓	✓
GC1715	✓	✓
GC1720	✓	✓
GC1723E	✓	✓
GC1723EB	✓	✓
GC1725M	✓	✓
GC1725MB	✓	✓
1526	✓	✓
1726E	✓	✓
1734E		
1739E		
1735M		
1740M		
1750M		
1755M		
1760M		
2604H		
2605H		
2606H		
2705E		
2706E		
Cutting Width	53"	53"
Shanks	0	4







**RAKES**

Model	LRS52	LRS60	LRS72	LRS72P	LRS84P	LRS96P
GC1705	✓	✓	✓	✓	✓	✓
GC1710	✓	✓	✓	✓	✓	✓
GC1715	✓	✓	✓	✓	✓	✓
GC1720	✓	✓	✓	✓	✓	✓
GC1723E	✓	✓	✓	✓	✓	✓
GC1723EB	✓	✓	✓	✓	✓	✓
GC1725M	✓	✓	✓	✓	✓	✓
GC1725MB	✓	✓	✓	✓	✓	✓
1526	✓	✓	✓	✓	✓	✓
1726E	✓	✓	✓	✓	✓	✓
1734E				✓	✓	✓
1739E				✓	✓	✓
1735M				✓	✓	✓
1740M				✓	✓	✓
Cutting Width	52"	60"	72"	72"	84"	96"







**POST HOLE DIGGERS**

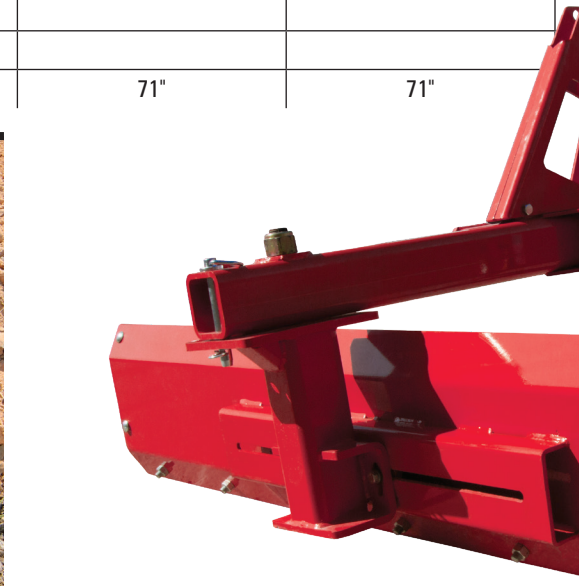
Model	TPD25	TPD35	TPD65	TPD95
GC1705	✓	✓		
GC1710	✓	✓		
GC1715	✓	✓		
GC1720	✓	✓		
GC1723E	✓	✓		
GC1723EB	✓	✓		
GC1725M	✓	✓		
GC1725MB	✓	✓		
1526	✓	✓		
1726E		✓		
1734E		✓	✓	
1739E			✓	✓
1735M			✓	✓
1740M			✓	✓
1750M			✓	✓
1755M			✓	✓
1760M			✓	✓
2604H			✓	✓
2605H			✓	✓
2606H			✓	✓
2607H				✓
2705E			✓	✓
2706E			✓	✓
4707				✓
4708				✓
4709				✓
Auger Diameter	6", 9", 12"	6", 9", 12", 18"	6", 9", 12", 18", 24"	6", 9", 12", 18", 24", 30"
Length	36"	48"	48"	48"

\*Price includes 6" x 36" and 6" x 48" auger.



**REAR BLADES**

Model	RBS54	RBS60	RBS60P	RBS72	RBS72P
GC1705	✓	✓	✓	✓	✓
GC1710	✓	✓	✓	✓	✓
GC1715	✓	✓	✓	✓	✓
GC1720	✓	✓	✓	✓	✓
GC1723E	✓	✓	✓	✓	✓
GC1723EB	✓	✓	✓	✓	✓
GC1725M	✓	✓	✓	✓	✓
GC1725MB	✓	✓	✓	✓	✓
1526	✓	✓	✓	✓	✓
1726E	✓	✓	✓	✓	✓
1734E			✓		✓
1739E			✓		✓
1735M			✓		✓
1740M			✓		✓
1750M					
1755M					
1760M					
2604H					
2605H					
2606H					
2607H					
2705E					
2706E					
4707					
4708					
Width	53"	59"	59"	71"	71"









**ROTARY BROOMS**

<b>Model</b>	<b>2330</b>	<b>1415</b>	<b>1535</b>
GC1705	✓		
GC1710	✓		
GC1715	✓		
GC1720	✓		
GC1723E	✓		
GC1723EB	✓		
GC1725M	✓		
GC1725MB	✓		
1526		✓	
1735M		✓	
1740M			✓
1750M			✓
1755M			✓
1760M			✓
Overall Width	47"	61"	72"
Working Width at Max. Angle	39"	49"	60.5"



**STUMP GRINDER**

Model	TSG50
GC1705	✓
GC1710	✓
GC1715	✓
GC1720	✓
GC1723E	✓
GC1723EB	✓
GC1725M	✓
GC1725MB	✓
1526	✓
1726E	✓
1734E	✓
1739E	✓
1735M	✓
1740M	✓
1750M	✓
1755M	✓
1760M	✓
2604H	✓
2605H	✓
2705E	✓
2706E	✓
Cutting Width	32"
Cutting Depth	16"



**⚠ DANGER**  
**KEEP AWAY!**  
 • Operate from tractor seat only.  
 • Keep others away from stump grinder while in operation.  
 • Contact will cause serious injury or death.

**⚠ DANGER** **KEEP AWAY!**  
 FLYING DEBRIS FROM CUTTING WHEEL.  
 Tractor operator can cause serious injury or death.

**WOODSTOCK TSG50**  
 © 2014 WOODSTOCK



**ROTARY TILLERS**

Model	RT42.30	RTR42.30	RT48.30	RTR48.30	RT60.40	RTR60.40
GC1723E	✓	✓	✓	✓	✓	✓
GC1723EB	✓	✓	✓	✓	✓	✓
GC1725M	✓	✓	✓	✓	✓	✓
GC1725MB	✓	✓	✓	✓	✓	✓
1526	✓	✓	✓	✓	✓	✓
1726E	✓	✓	✓	✓	✓	✓
1734E	✓	✓	✓	✓	✓	✓
1739E			✓	✓	✓	✓
1735M	✓	✓	✓	✓	✓	✓
1740M			✓	✓	✓	✓
1750M					✓	✓
1755M						
1760M						
2604H						
2605H						
2705E						
2706E						
Tilling Width	41"	41"	47"	47"	59"	59"
Rotation	Forward	Reverse	Forward	Reverse	Forward	Reverse





RT72.40	RTR72.40	TC60	TCR60	TC68	TCR68	TC74	TCR74
✓	✓	✓	✓	✓	✓	✓	✓
✓	✓	✓	✓	✓	✓	✓	✓
✓	✓	✓	✓	✓	✓	✓	✓
✓	✓	✓	✓	✓	✓	✓	✓
✓	✓	✓	✓	✓	✓	✓	✓
✓	✓						
✓	✓	✓	✓	✓	✓	✓	✓
✓	✓	✓	✓	✓	✓	✓	✓
✓	✓	✓	✓	✓	✓	✓	✓
✓	✓						
✓	✓	✓	✓	✓	✓	✓	✓
✓	✓						
71"	71"	59"	59"	68"	68"	74"	74"
Forward	Reverse	Forward	Reverse	Forward	Reverse	Forward	Reverse





# SEEDERS

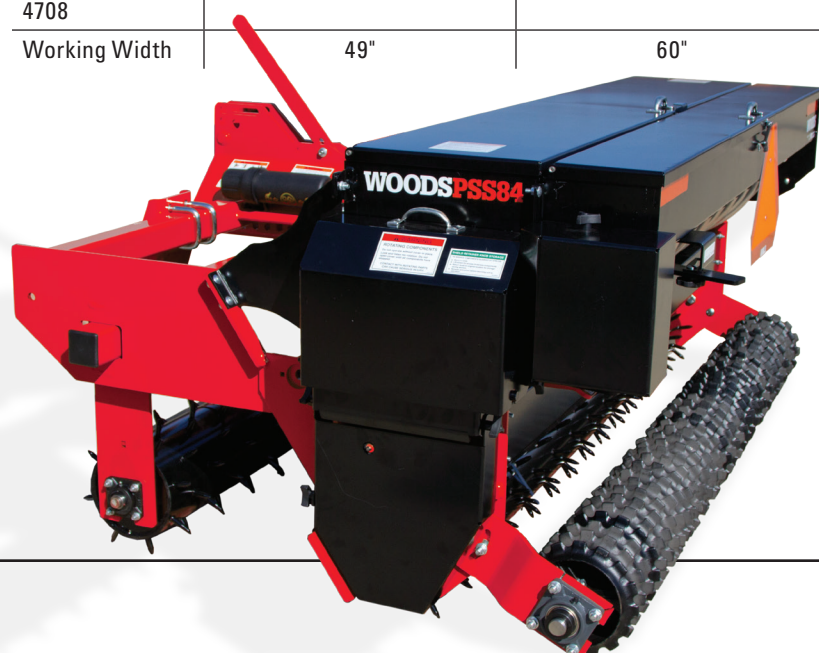


## FOOD PLOT SEEDER

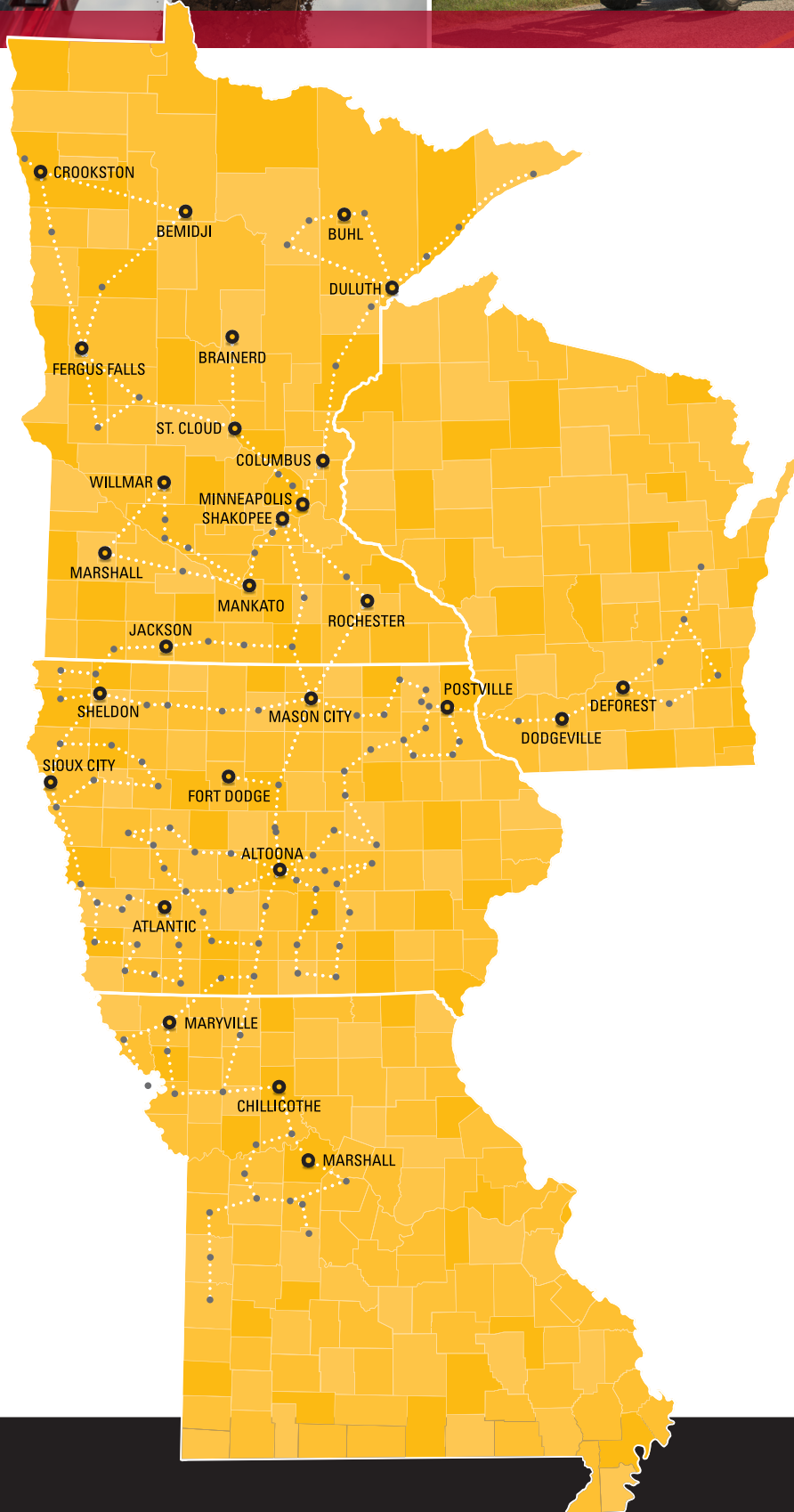
Model	FPS48	FPS60	FPS72	FPS84
GC1705	✓			
GC1710	✓			
GC1715	✓			
GC1720	✓			
GC1723E	✓			
GC1723EB	✓			
GC1725M	✓			
GC1725MB	✓			
1526	✓			
1726E	✓			
1734E	✓	✓		
1739E	✓	✓	✓	
1735M	✓	✓		
1740M	✓	✓	✓	✓
1750M		✓	✓	✓
1755M		✓	✓	✓
1760M		✓	✓	✓
2604H		✓	✓	✓
2605H		✓	✓	✓
2606H		✓	✓	✓
2607H			✓	✓
2705E		✓	✓	✓
2706E		✓	✓	✓
4707			✓	✓
4708			✓	✓
Working Width	49"	60"	72"	84"

## PRECISION SUPER SEEDER

Model	PSS48	PSS60	PSS72	PSS84
GC1705	✓			
GC1710	✓			
GC1715	✓			
GC1720	✓			
GC1723E	✓			
GC1723EB	✓			
GC1725M	✓			
GC1725MB	✓			
1526	✓			
1726E	✓			
1734E	✓	✓		
1739E	✓	✓	✓	
1735M	✓	✓		
1740M	✓	✓	✓	✓
1750M		✓	✓	✓
1755M		✓	✓	✓
1760M		✓	✓	✓
2604H		✓	✓	✓
2605H		✓	✓	✓
2606H		✓	✓	✓
2607H			✓	✓
2705E		✓	✓	✓
2706E		✓	✓	✓
4707			✓	✓
4708			✓	✓
Working Width	49"	60"	72"	84"







## MINNESOTA

<b>Bemidji</b> 218.751.1033	<b>Mankato</b> 507.388.1444
<b>Brainerd</b> 218.829.9800	<b>Marshall</b> 507.532.4403
<b>Buhl</b> 218.258.3232	<b>Minneapolis</b> 952.888.4121
<b>Columbus</b> 651.982.5600	<b>Rochester</b> 507.285.1775
<b>Crookston</b> 218.281.4245	<b>Shakopee</b> 952.233.4650
<b>Duluth</b> 218.722.6628	<b>St. Cloud</b> 320.253.2234
<b>Fergus Falls</b> 218.736.2680	<b>Willmar</b> 320.235.8123
<b>Jackson</b> 507.847.7600	

## IOWA

<b>Altoona</b> 515.957.3800	<b>Postville</b> 563.864.7461
<b>Atlantic</b> 712.243.1039	<b>Sheldon</b> 712.324.5604
<b>Fort Dodge</b> 515.576.3161	<b>Sioux City</b> 712.252.4401
<b>Mason City</b> 641.423.7240	

## WISCONSIN

<b>DeForest</b> 608.842.0451	<b>Dodgeville</b> 608.935.3600
---------------------------------	-----------------------------------

## MISSOURI

<b>Chillicothe</b> 660.240.0900	<b>Maryville</b> 660.582.5150
<b>Marshall</b> 660.831.5181	

**ZIEGLER**  
AG EQUIPMENT

[www.zieglerag.com](http://www.zieglerag.com)