

Tilt Attach

For skid-steer loaders with universal hitches

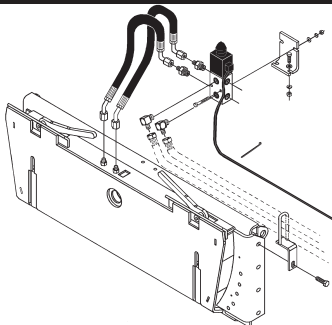
FEATURES:

- Allows full utilization of skid-steer on hilly terrain
- Attaches to a skid-steer universal hitch to allow 18° left or right tilt off center line
- Tilts buckets and landscaping implements for more precise grading and leveling
- For 1,700 lb machines and dedicated track units
- Valve package is mounted on Tilt Attach for use with hydraulic powered attachments
- Simple connection by electric wiring keeps valves and hoses out of operator's cabin
- Abrasion resistant plate steel allows longer life
- Large spiracle ball bushing in center pivot allows extra strength and durability
- Pins attach two halves together instead of bolts
- 2 year limited warranty

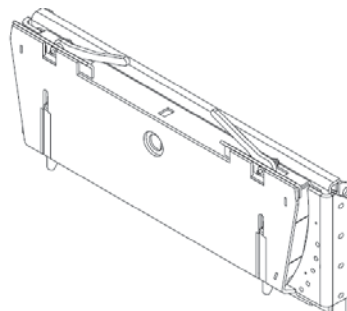


PALADIN LIGHT CONSTRUCTION

PostMaster Valve Package



Tilt Attach



Specifications

Width	46.8"
Height	18.5"
Depth	4.2"
Cylinder Bore In	2.5"
Rod Diameter	1.3"
Tilt Degree	±18°
Lift Capacity	4,200 lbs
Weight	422 lbs