

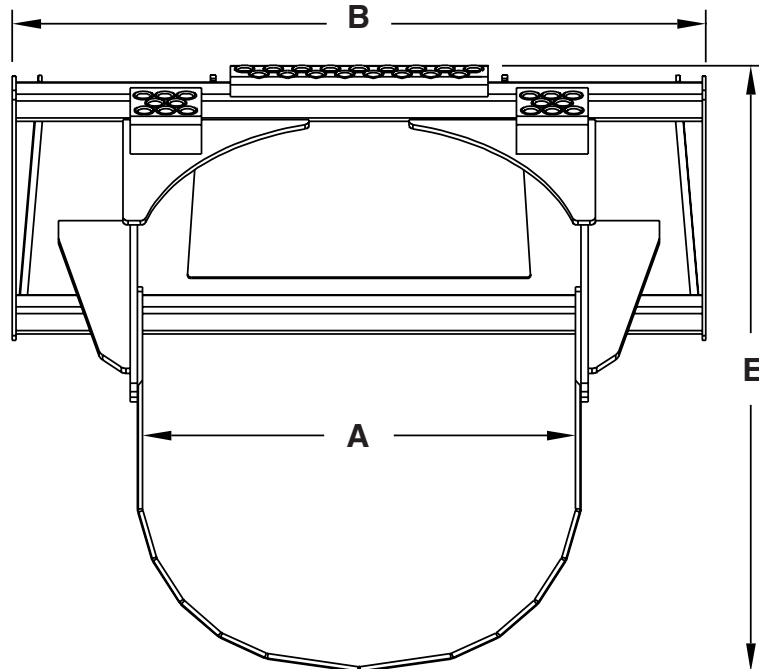
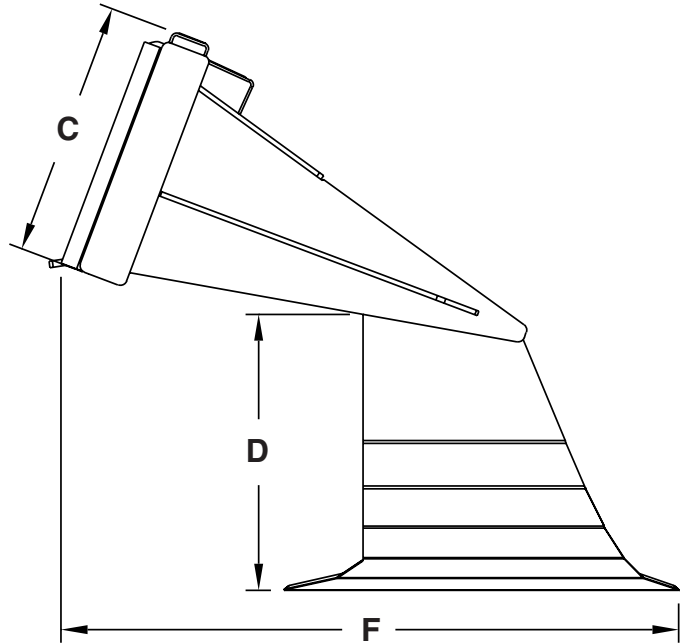


## U-Blade

Patent #6035562

MODEL	UBV26	UBV30	UBV36
A) Inside Blade Diameter	26 in.	30 in.	36 in.
B) Overall Frame Width	48.5 in.	48.5 in.	48.5 in.
C) Frame Height	19.5 in.	19.5 in.	19.5 in.
D) Blade Height	17.5 in.	22.5 in.	19.5 in.
E) Overall Height	38 in.	43.5 in.	41 in.
F) Overall Length	46.75 in.	46.75 in.	46.75 in.
Approximate Digging Depth*	48 in.	48 in.	48 in.
Approximate Weight	370 lb.	390 lb.	390 lb.
Blade Material	3/8 High Carbon Steel		

*\*Digging Depth Varies with Size and Brand of Machine*



DISTRIBUTED BY:

**Specifications and designs are subject to change without notice.**

Virnig Manufacturing, Inc  
 800-648-2408  
 www.virnigmfg.com