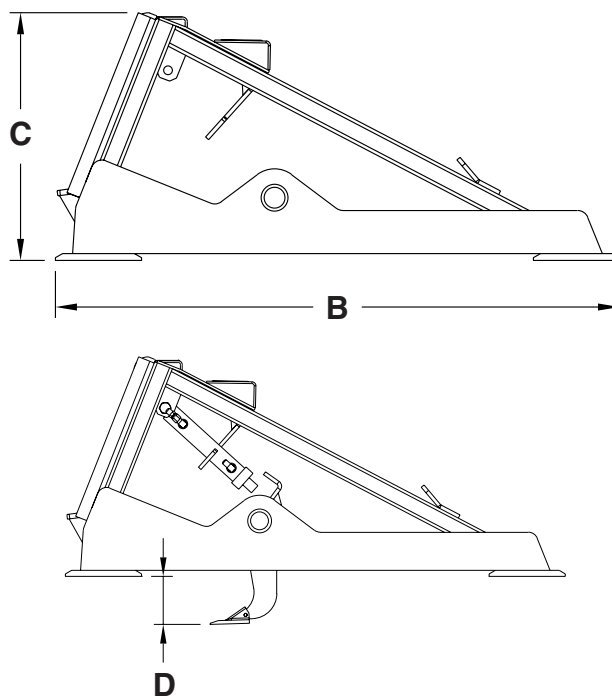


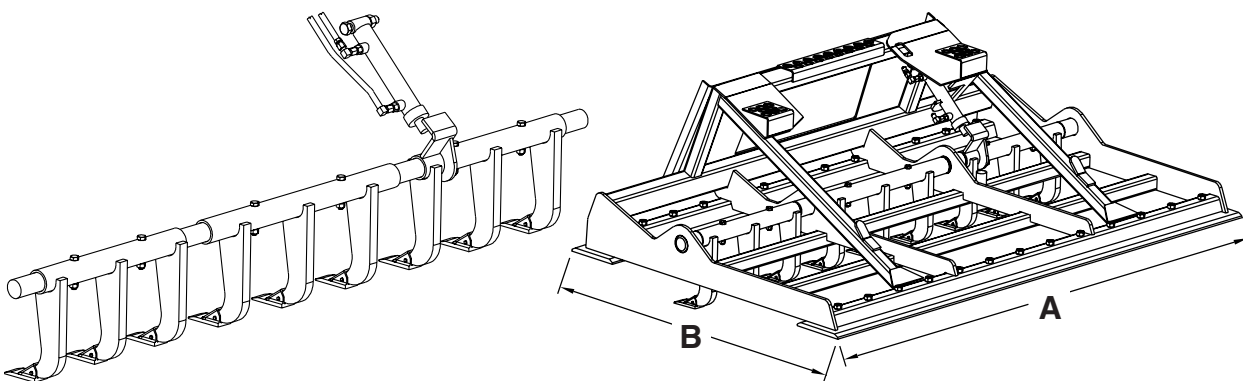


## Land Leveler

MODEL	LLV66	LLV72	LLV78	LLV84
A) Overall Width	67.0 in.	73.0 in.	80.0 in.	86.0 in.
B) Overall Depth	50.5 in.	50.5 in.	52.5 in.	52.5 in.
C) Overall Height	23.0 in.	23.0 in.	23.0 in.	23.0 in.
Operating Depth	2.0 in.	2.0 in.	2.0 in.	2.0 in.
Approximate Weight	665 lb.	700 lb.	755 lb.	790 lb.
Bolt-on Edge	5/8 x 6	5/8 x 6	5/8 x 8	5/8 x 8
<b>Optional Scarifier Specifications</b>				
MODEL	SK66	SK72	SK78	SK84
Number of Teeth	8	9	9	9
D) Digging depth	6.0 in.	6.0 in.	6.0 in.	6.0 in.
Approximate Weight	180 lb.	195 lb.	235 lb.	255 lb.
<b>Scarifier Cylinder Specifications</b>				
Stroke	6.0 in.	6.0 in.	6.0 in.	6.0 in.
Rod Diameter	1.0 in.	1.0 in.	1.0 in.	1.0 in.
Bore	1.5 in.	1.5 in.	1.5 in.	1.5 in.



*Includes Hoses From Scarifier To Skid Loader.  
Couplers Available Upon Request.*



DISTRIBUTED BY:

**Specifications and designs are subject  
to change without notice.**

Virnig Manufacturing, Inc.  
800-648-2408  
www.virnigmfg.com