



Longwood Lumber Grapple

for Skid-Steer Loaders and
Small Wheel Loaders

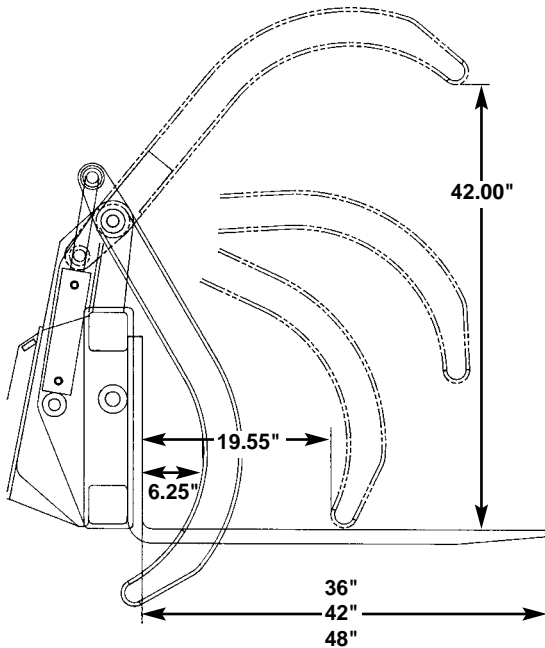


-
- **Dymax Longwood Lumber Grapples** are designed and built for years of durability in tough working conditions.
 - Ideal applications include housing site development and logging.
 - The unique design of the **Dymax Longwood Lumber Grapple** is well suited to logging applications, as the two individual top clamps close inside the tines, bringing the logs closer to the carriage for greater stability.
 - Top clamps are independent of each other, providing better grabbing action for uneven loads.
 - I-beam design of top clamps insures structural integrity.
 - With the top clamps open, the **Dymax Longwood Lumber Grapple** can be used in a multitude of other applications calling for a traditional pallet fork.
 - The non-swinging tines are available in three lengths for handling, stacking and loading sawed logs, as well as more typical pallet fork applications.
-

Longwood Lumber Grapple



- Hydraulic cylinders are recessed and protected against damage from debris.
- Tines on the **Dymax Longwood Lumber Grapple** can be moved from side to side to accommodate different sized loads or pallets.



Specifications

	Longwood Lumber Grapple
Carriage Width (in.)	61
Carriage Height (in.)	23
Overall Height (in.)	36
Tine length options (in.)	36, 42, 48
Tine dimensions (in.)	1½ X 4
Max. distance, outside of tines (in.)	60
Min. distance, outside of tines (in.)	48
# cylinders	2
Cylinder rod diameter (in.)	1
Cylinder dimensions (in.)	2½ X 8
Pin diameter (in.)	1¼
Approximate weight (lbs.)	930

Materials and specifications subject to change without notice.



402 Miller Drive • P.O. Box 297 • Wamego, Kansas • 66547 • 1-800-530-5407
www.DYMAXattachments.com

Form No. 4321 (10-00)